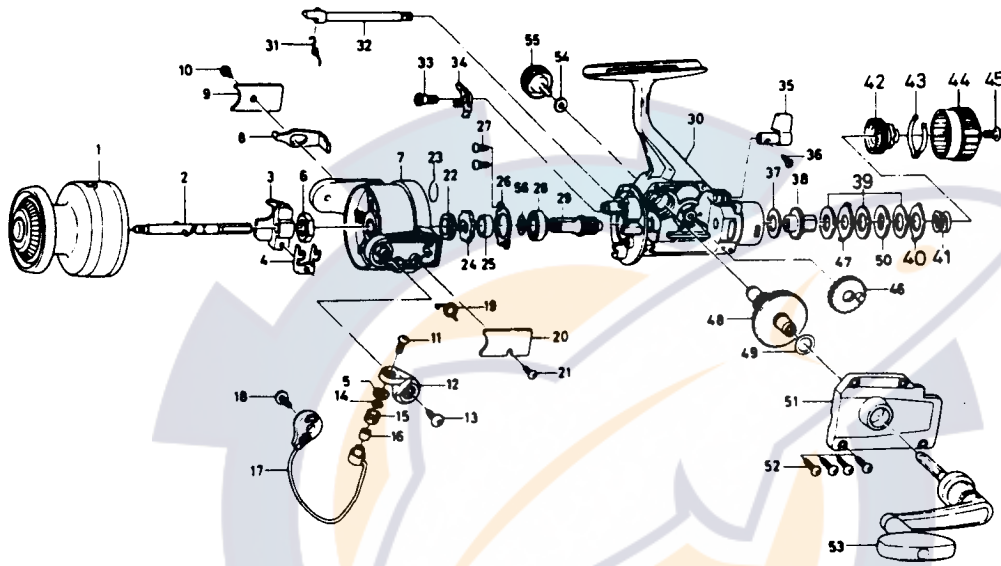




SPINNING REEL **AG1650A/2050A**



Key No.	Parts No.	Parts Name	Key No.	Parts No.	Parts Name
1	K10-8501	Spool	35	E08-6102	Anti-reverse lever
2	B83-9801	Main shaft	36	B12-8201	Anti-reverse lever screw
3	E08-7801	Oscillating slider	37	B46-9505	Drag washer A
4	B93-7202	Oscillating slider retainer	38	B76-9803	Click gear
5	B97-9801	Line roller washer B	39	E14-3301	Drag washer B
6	B10-5701	Rotor nut	40	B83-9501	Eared washer A
7	B82-2001	Rotor	41	K02-6701	Drag coil spring
8	B83-6701	Bail trip lever	42	B77-0004	Drag screw
9	B76-9701	Bail trip cover	43	B77-0301	Drag washer spring
10	B83-4402	Bail trip cover screw	44	K05-0202	Drag knob
11	B67-9302	Line roller screw	45	352-1107	Drag knob spring screw
12	B68-1102	Bail arm	46	B74-3701	Oscillating gear
13	B84-2102	Bail arm screw	47	K10-5701	Eared washer B
14	B55-4301	Line roller washer A	48	K10-5601	Drive gear
15	250-3921	Line roller	49	373-7800	Drive gear washer
16	B45-1501	Line roller bushing	50	K05-0301	key washer
17	K10-7602	Bail	51	K10-8001	Side cover
18	B84-2102	Bail trip cam screw	52	B83-5002	Side cover screw
19	K04-9801	Bail spring	53	E00-2502	Handle
20	B77-2203	Bail spring cover	54	B92-4902	Handle lock washer
21	B83-4402	Bail spring cover screw	55	B92-5001	Handle lock screw
22	501-9901	Spring holder	56	K10-5701	Bushing washer
23	145-0902	Anti-reverse pawl spring			
24	280-9001	Anti-reverse ratchet			
25	K03-1701	Spacing sleeve			
26	B35-6301	Bearing retainer			
27	B83-4402	Bearing retainer screw			
28	K10-5801	Bushing			
29	K10-5501	Pinion gear			
30	K05-2301	Body			
31	144-0321	Anti-reverse cam spring			
32	B83-6001	Anti-reverse cam			
33	K03-2901	Anti-reverse pawl screw			
34	K02-3301	Anti-reverse pawl			

AG2050 A Special Parts		
1	K10-8601	Spool
7	B82-2201	Rotor
8	B83-7301	Bail trip lever
17	K10-7802	Bail
30	K05-2302	Body
51	K10-8003	Side cover
53	E00-2802	Handle